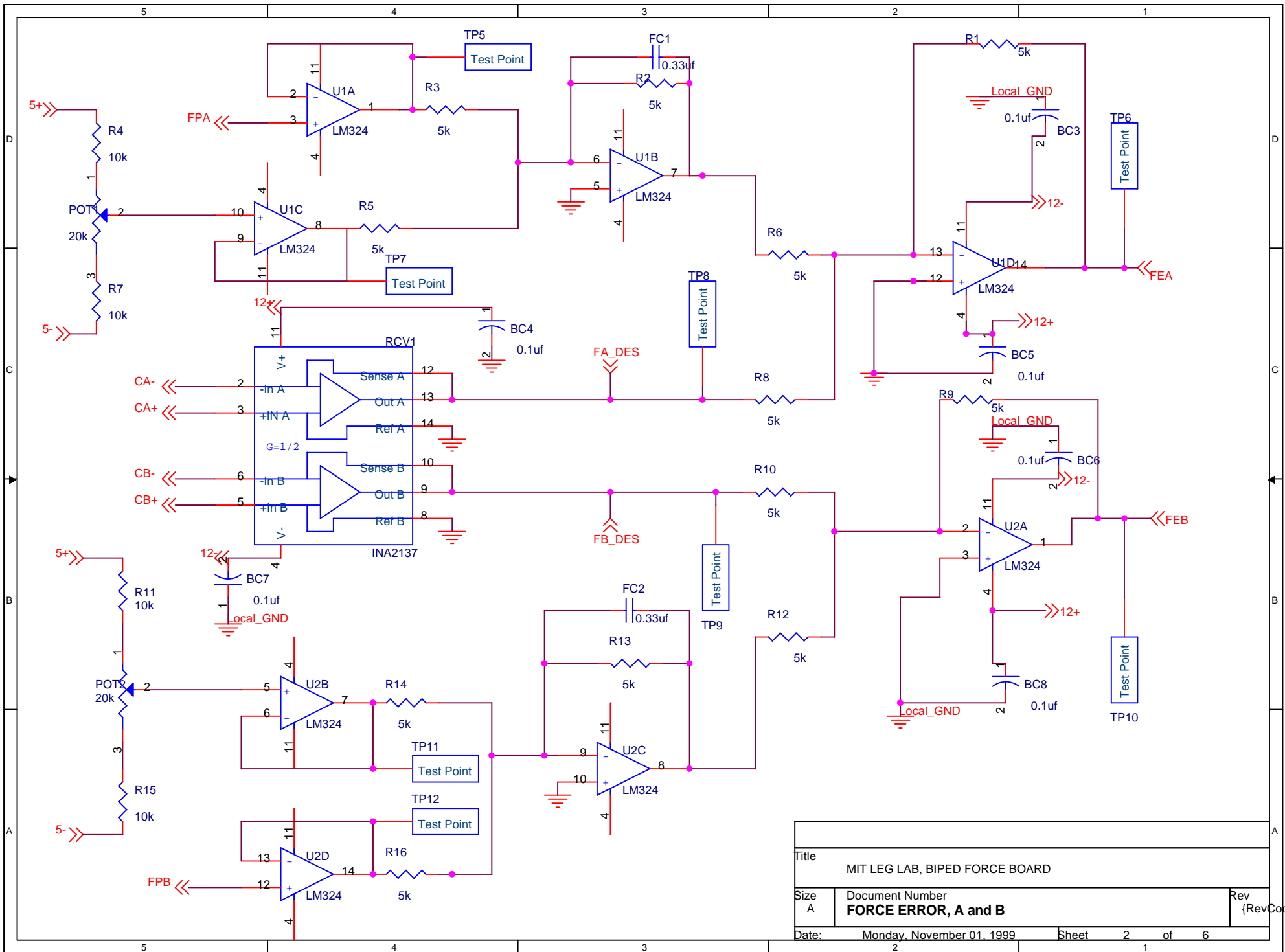
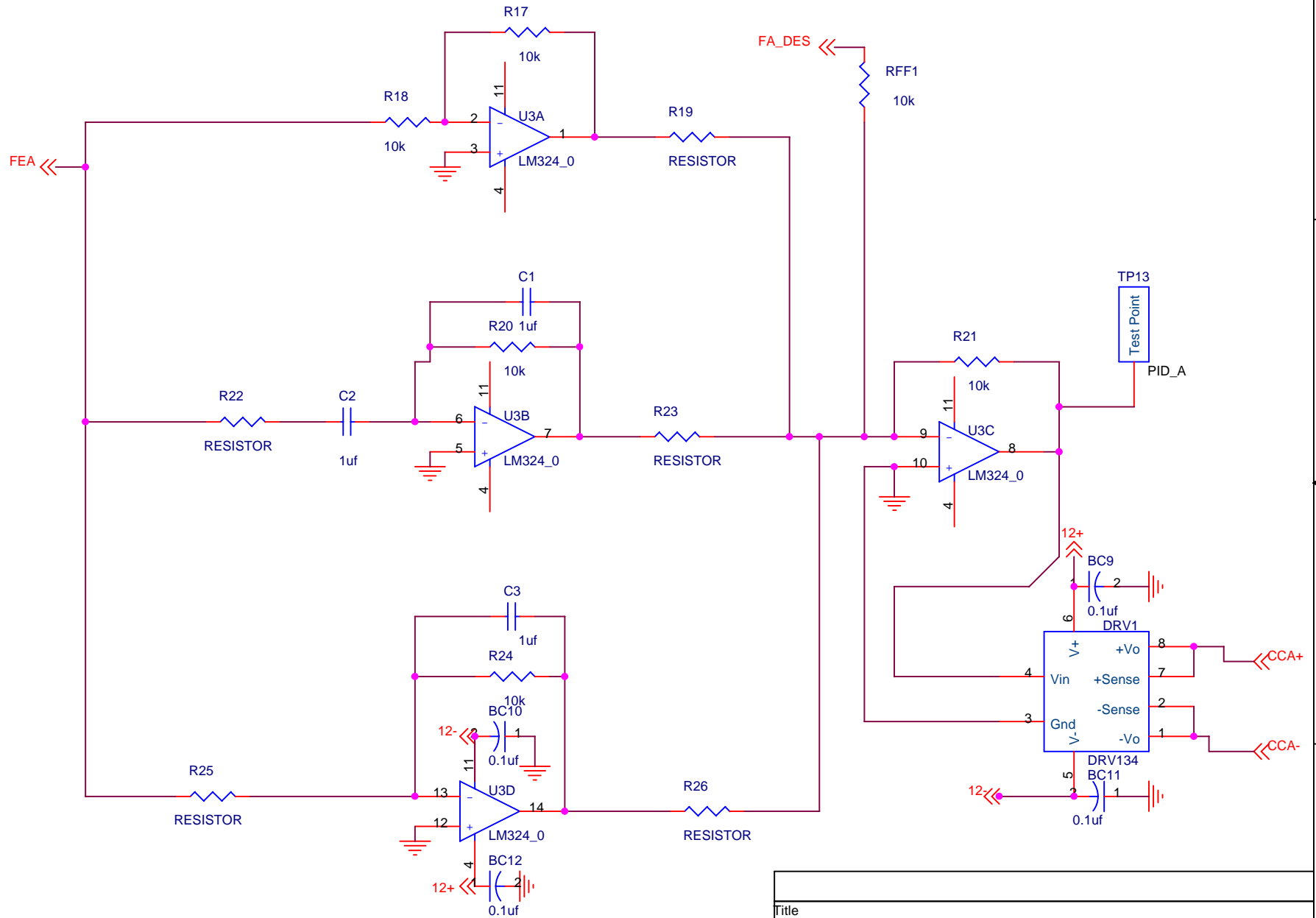


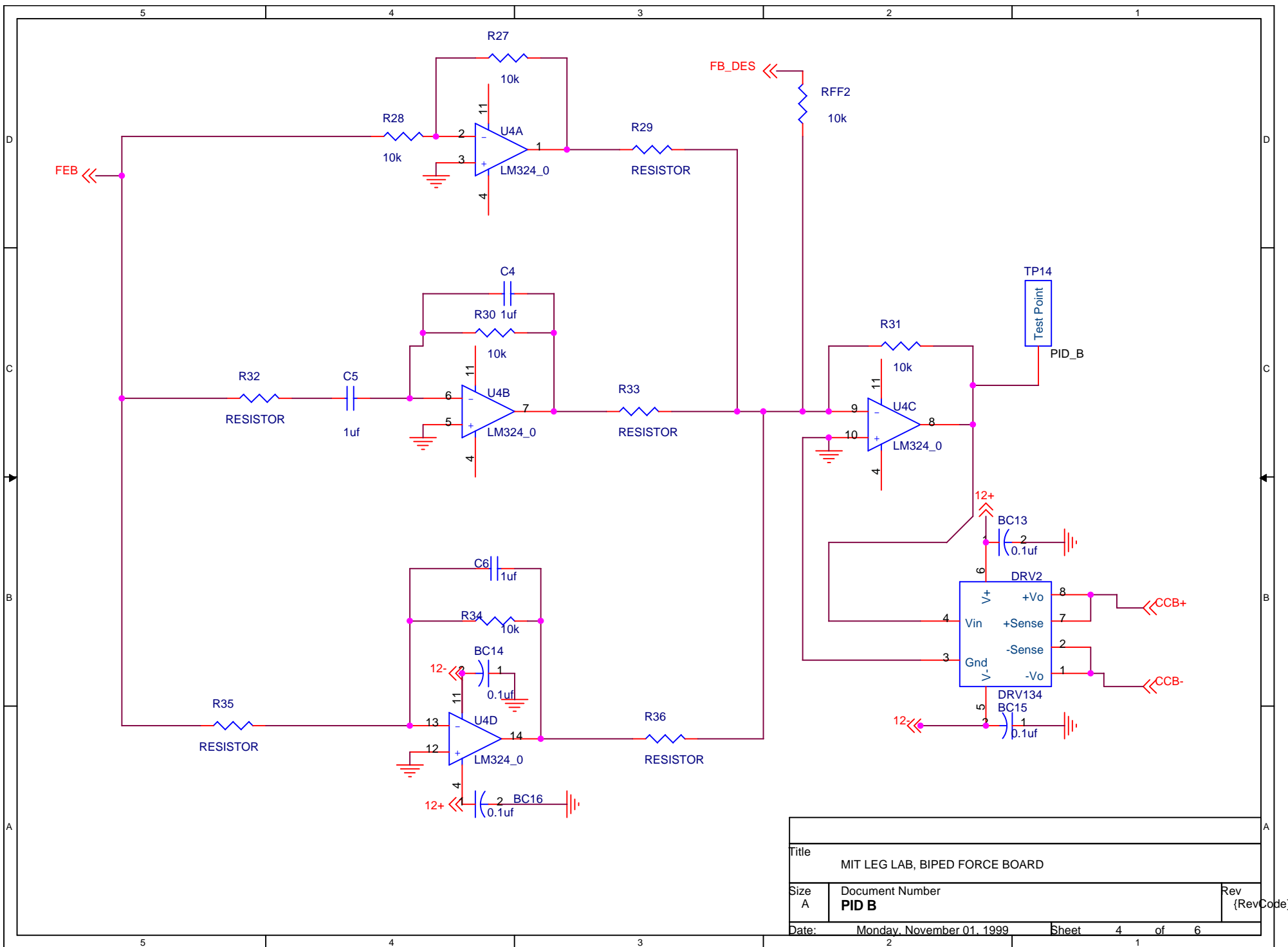
Title		
MIT LEG LAB, BIPED FORCE BOARD		
Size	Document Number	Rev
A	<b>POWER AND CONNECTORS</b>	{RevCode}
Date:	Monday, November 01, 1999	Sheet 1 of 6



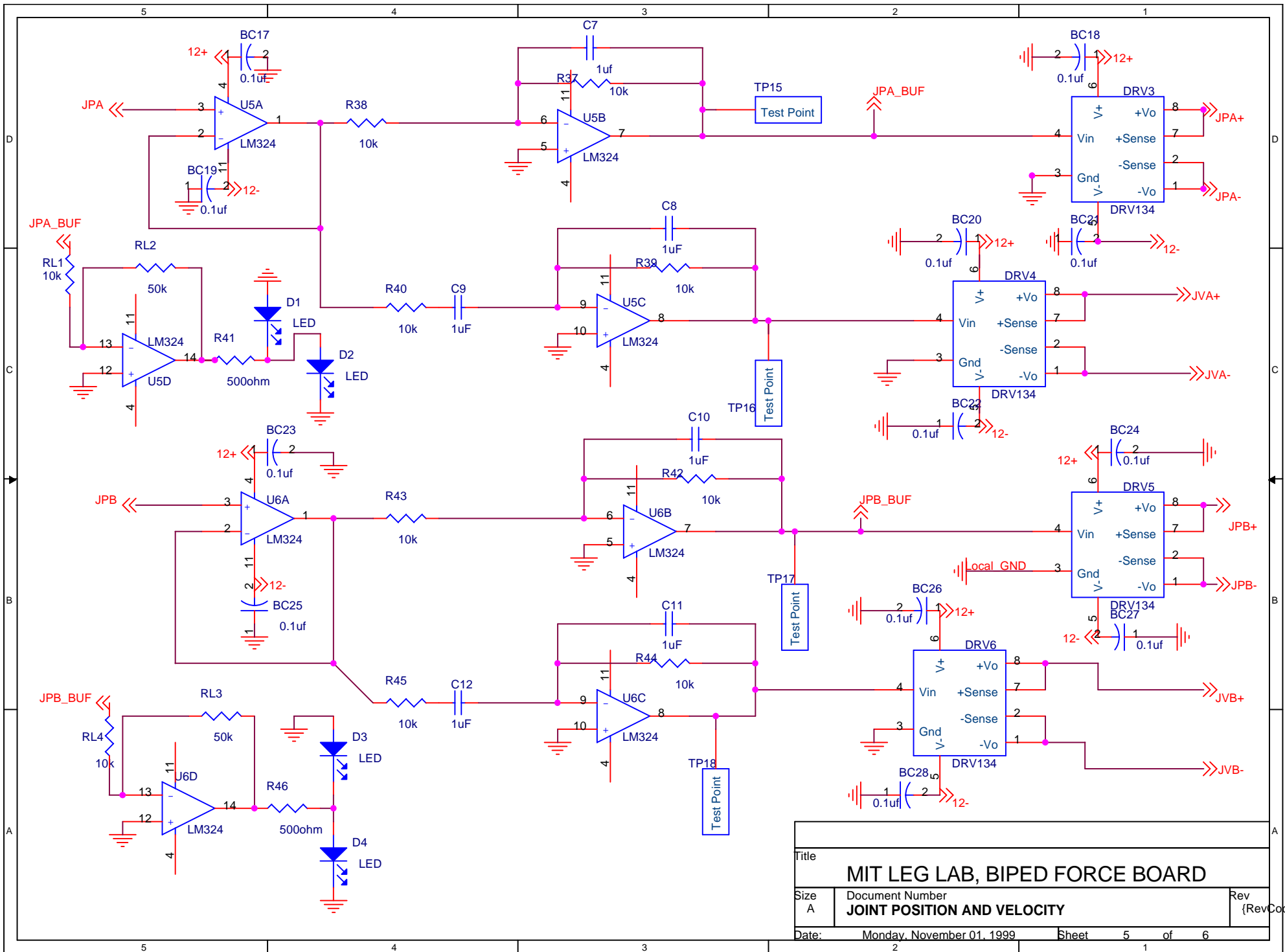
Title		
MIT LEG LAB, BIPED FORCE BOARD		
Size	Document Number	Rev
A	<b>FORCE ERROR, A and B</b>	{RevCode}
Date:	Monday, November 01, 1999	Sheet 2 of 6
	2	1



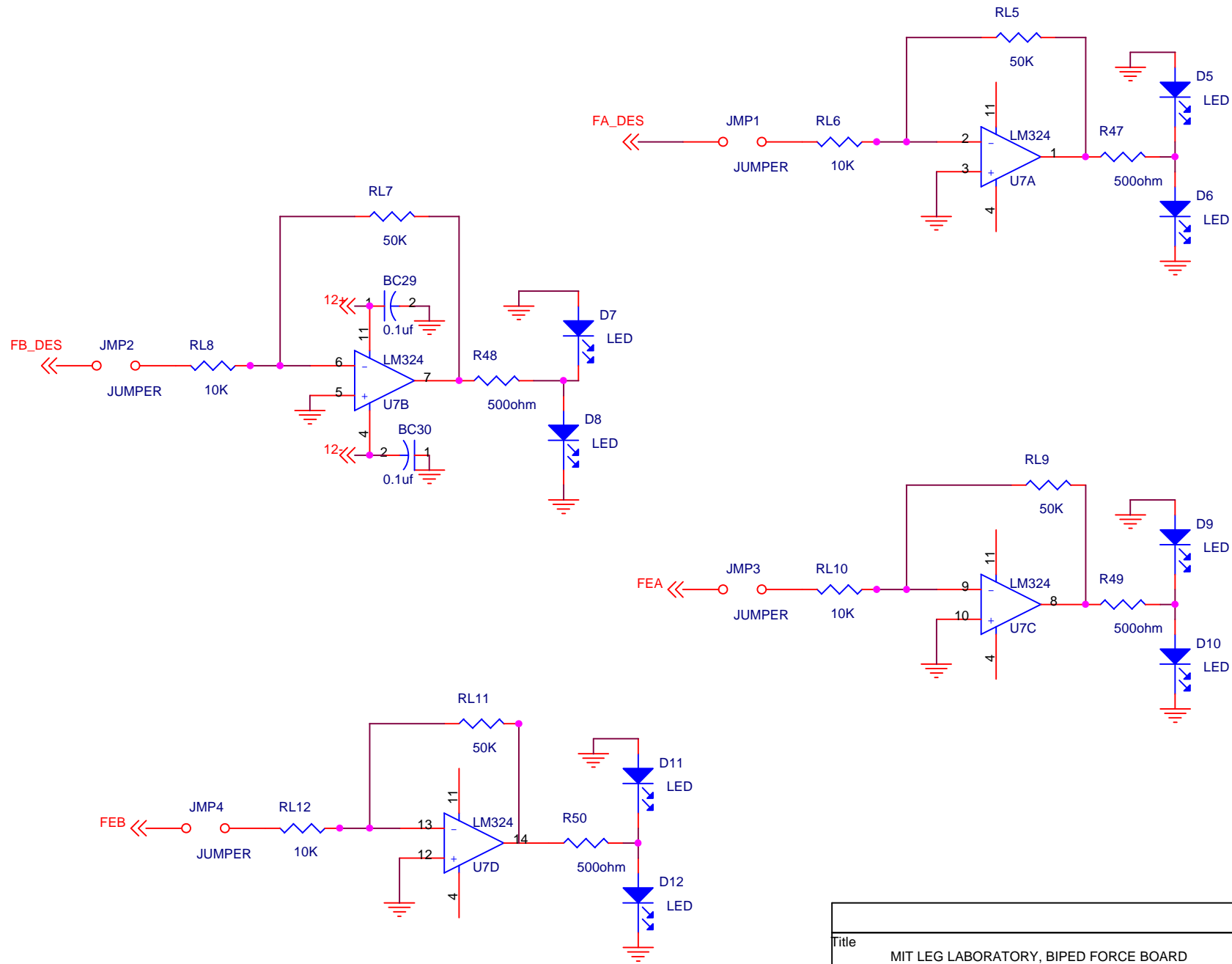
Title		
MIT LEG LAB, BIPED FORCE BOARD		
Size	Document Number	Rev
A	<b>PID A</b>	{RevCode}
Date:	Monday, November 01, 1999	Sheet 3 of 6
	2	1



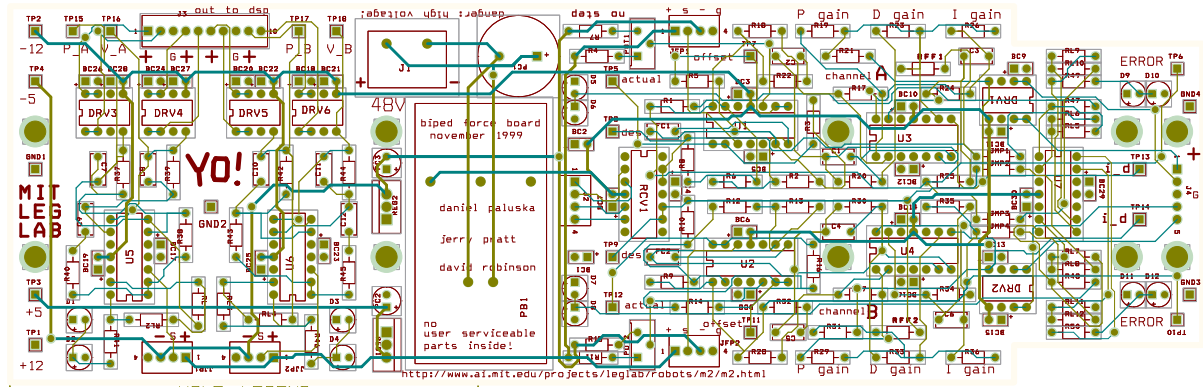
Title		
MIT LEG LAB, BIPED FORCE BOARD		
Size	Document Number	Rev
A	<b>PID B</b>	{RevCode}
Date:	Monday, November 01, 1999	Sheet 4 of 6
	2	1



Title		
MIT LEG LAB, BIPED FORCE BOARD		
Size	Document Number	Rev
A	<b>JOINT POSITION AND VELOCITY</b>	{RevCode}
Date:	Monday, November 01, 1999	Sheet 5 of 6



Title		
MIT LEG LABORATORY, BIPED FORCE BOARD		
Size	Document Number	Rev
A	LED MONITORS	{RevCode}
Date:	Monday, November 01, 1999	Sheet 6 of 6
	2	1



HOLE LEGEND

SYM	DIAM	TOL	QTY	NOTE
∞	0.028		35	
+	0.034		198	
⊗	0.038		242	
⊕	0.042		37	
△	0.054		13	
∞	0.180		10	
TOTAL			535	