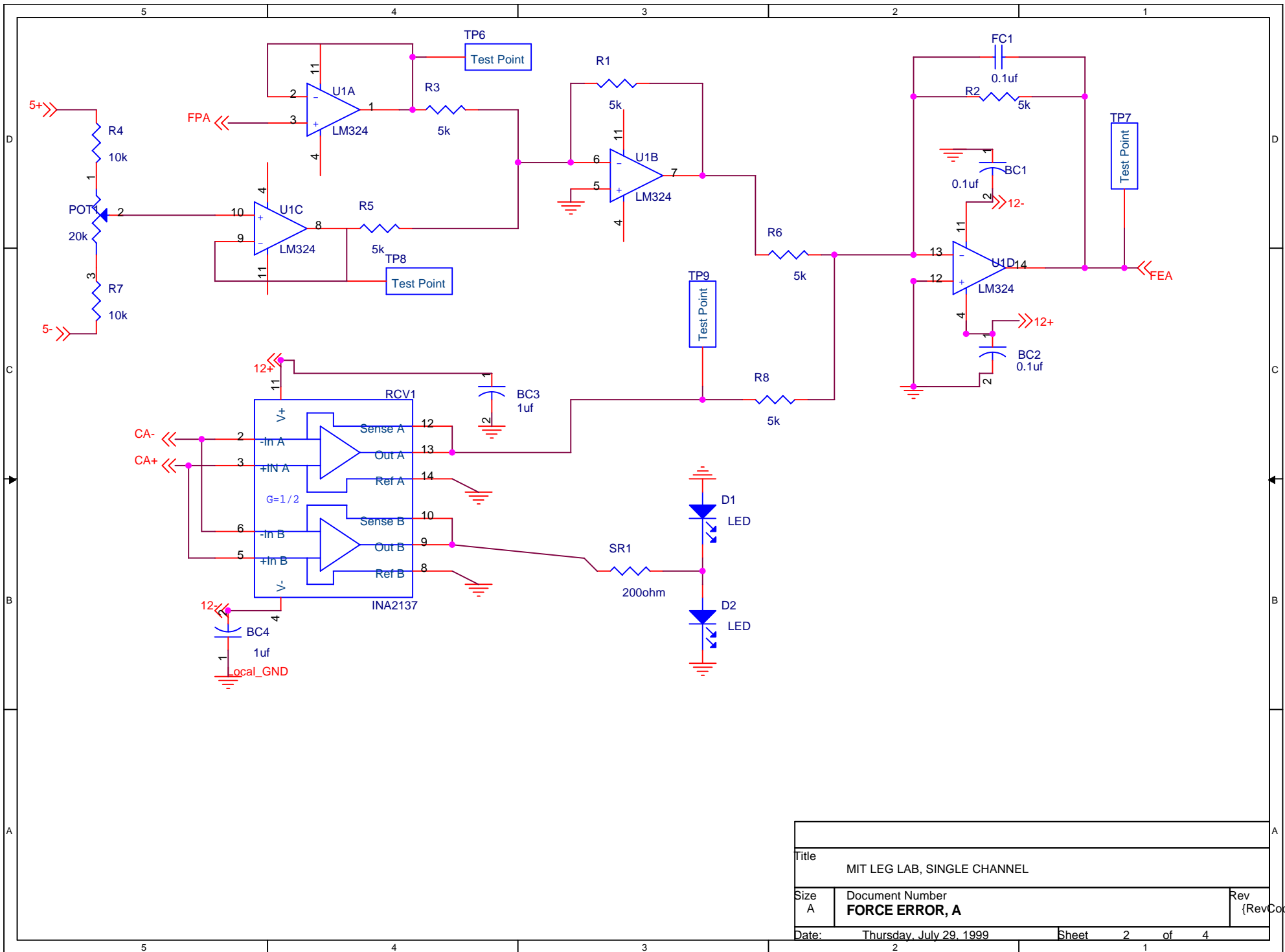


2 Joint Pot Signals out to DSP
 2 Joint Pot Derivatives out to DSP

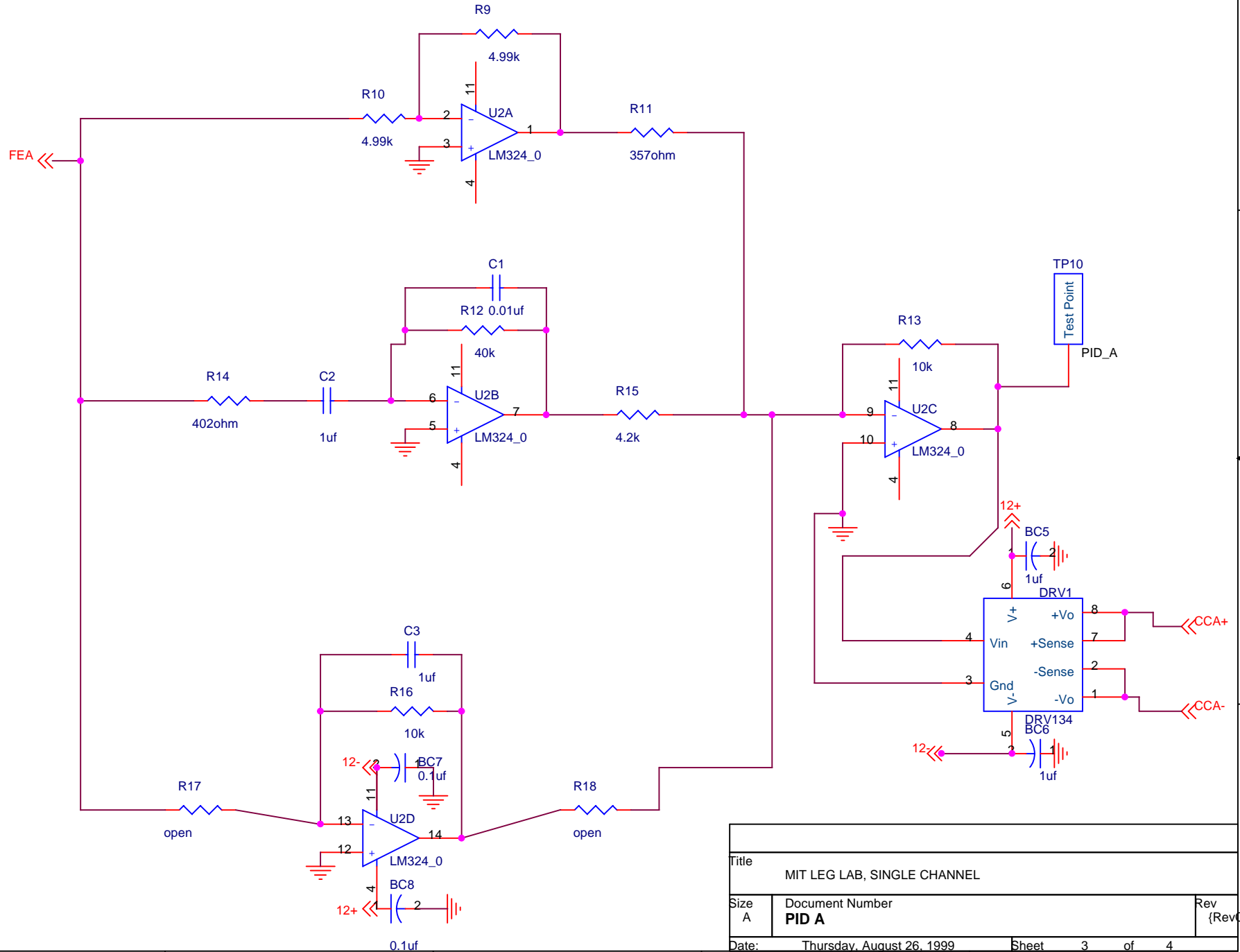
Actuator Command from DSP

Current Commands on it's way to Copley

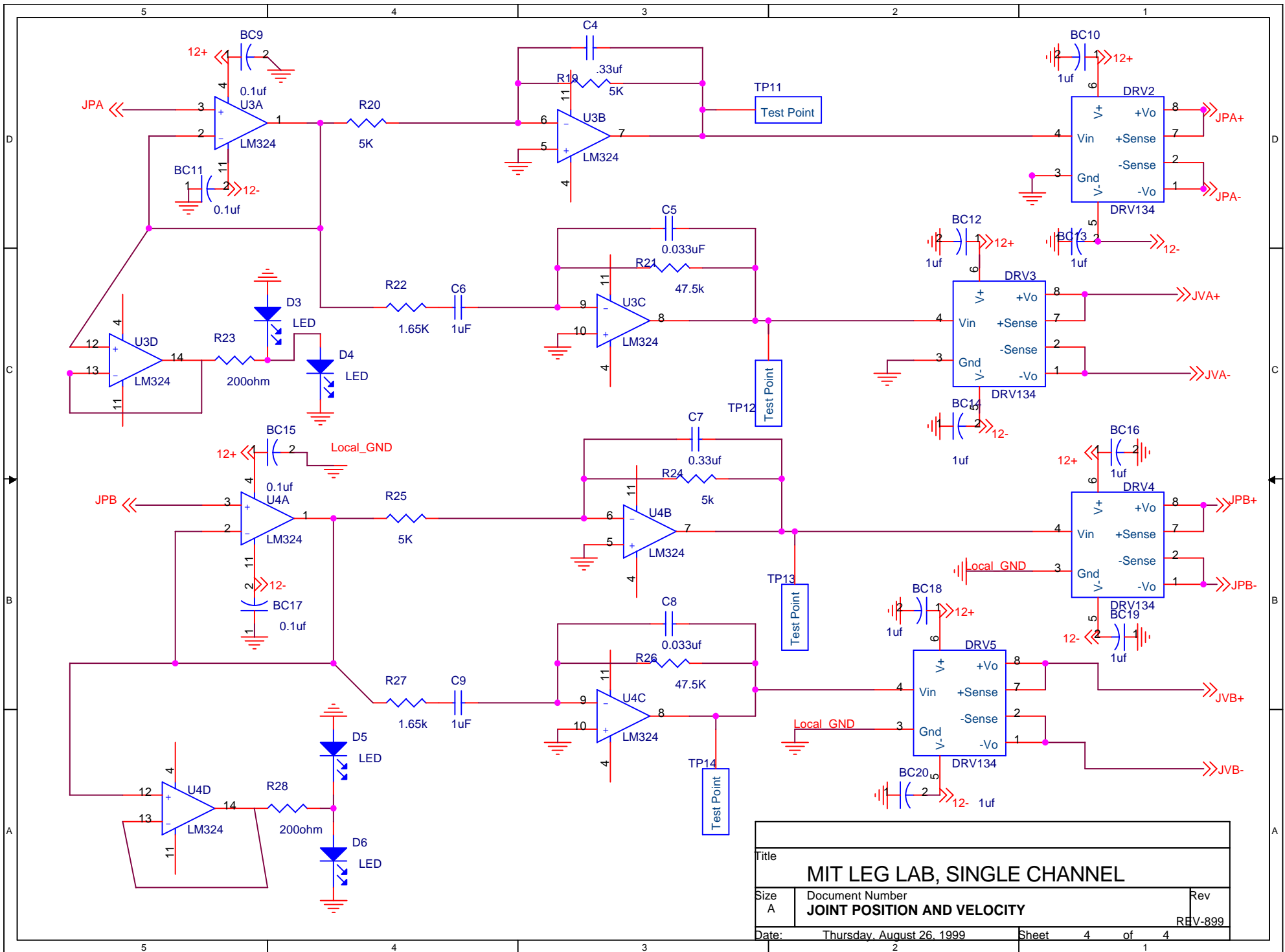
Title		
LEG LAB, SINGLE CHANNEL		
Size A	Document Number	Rev
	POWER AND CONNECTORS	{RevCode}
Date:	Monday, July 19, 1999	Sheet 1 of 4



Title		
MIT LEG LAB, SINGLE CHANNEL		
Size	Document Number	Rev
A	FORCE ERROR, A	{RevCode}
Date:	Thursday, July 29, 1999	Sheet 2 of 4
	2	1



Title		
MIT LEG LAB, SINGLE CHANNEL		
Size	Document Number	Rev
A	PID A	{RevCode}
Date:	Thursday, August 26, 1999	Sheet 3 of 4



Title		
MIT LEG LAB, SINGLE CHANNEL		
Size	Document Number	Rev
A	JOINT POSITION AND VELOCITY	
Date:	Thursday, August 26, 1999	Sheet 4 of 4
	2	1

Command In

2



TP4



+5

TP1



+12

TP5

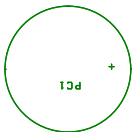


-5

TP3



-12



TP2

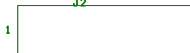


GND

GND1

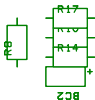
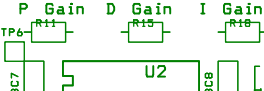
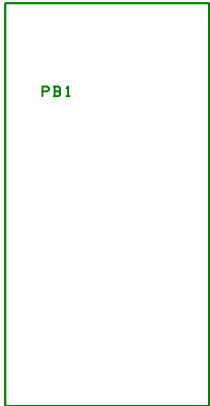


Force Pot JPA



1

PB1



4



-TP10



TP11



JPA



JVA



JPB



JVB



CORN

DOG

MIT

LEG

LAB

7/99

7/99

7/99

7/99

7/99

7/99

7/99

7/99

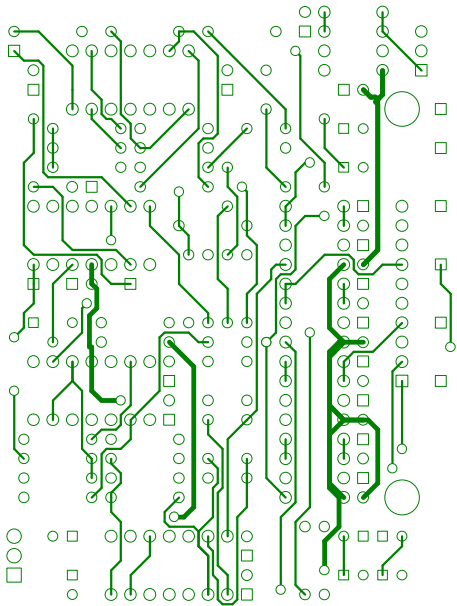
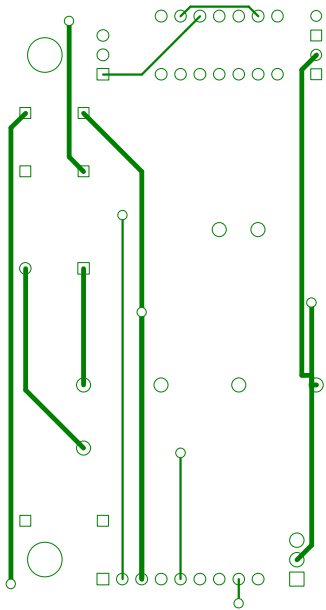
7/99

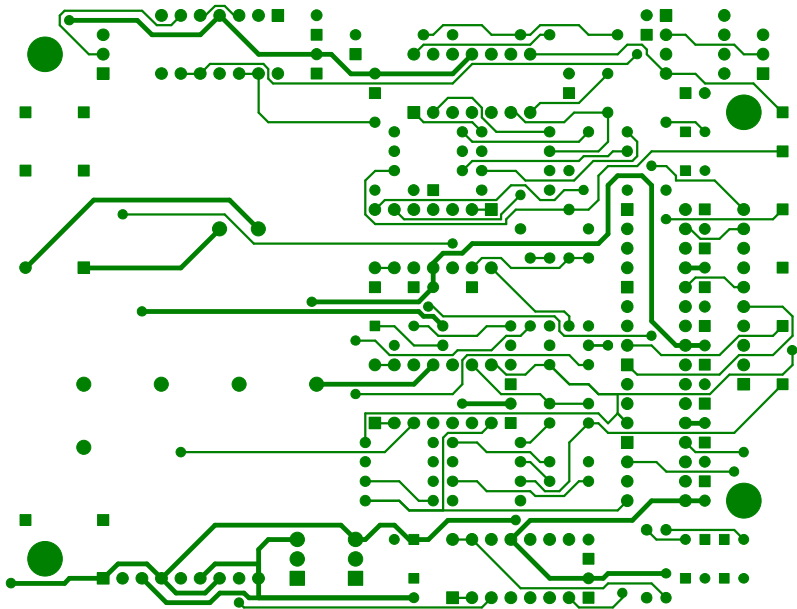
7/99

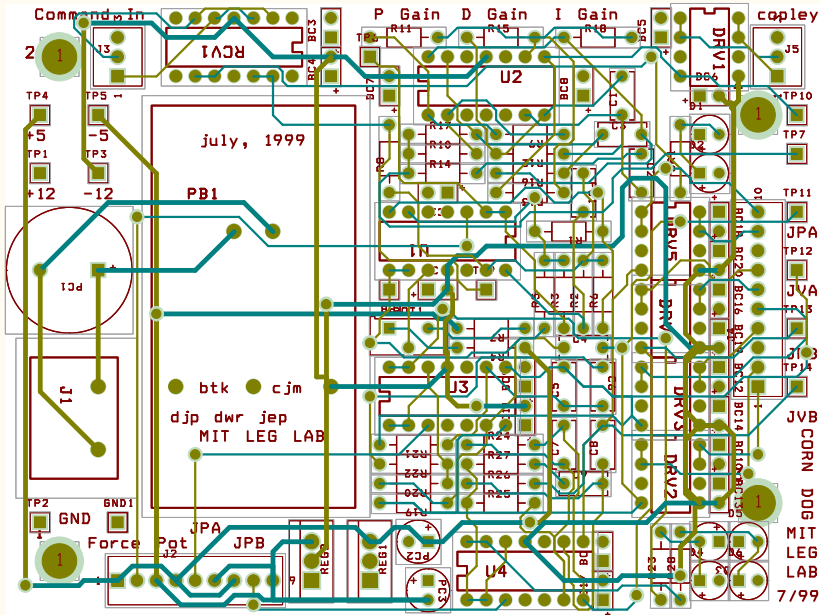
7/99

7/99

7/99







HOLE LEGEND

SYM	DIAM	TOL	QTY	NOTE
◇	0.028		25	
+	0.034		97	
⊠	0.038		165	
⊕	0.042		27	
△	0.054		13	
⊗	0.180		4	
TOTAL			331	