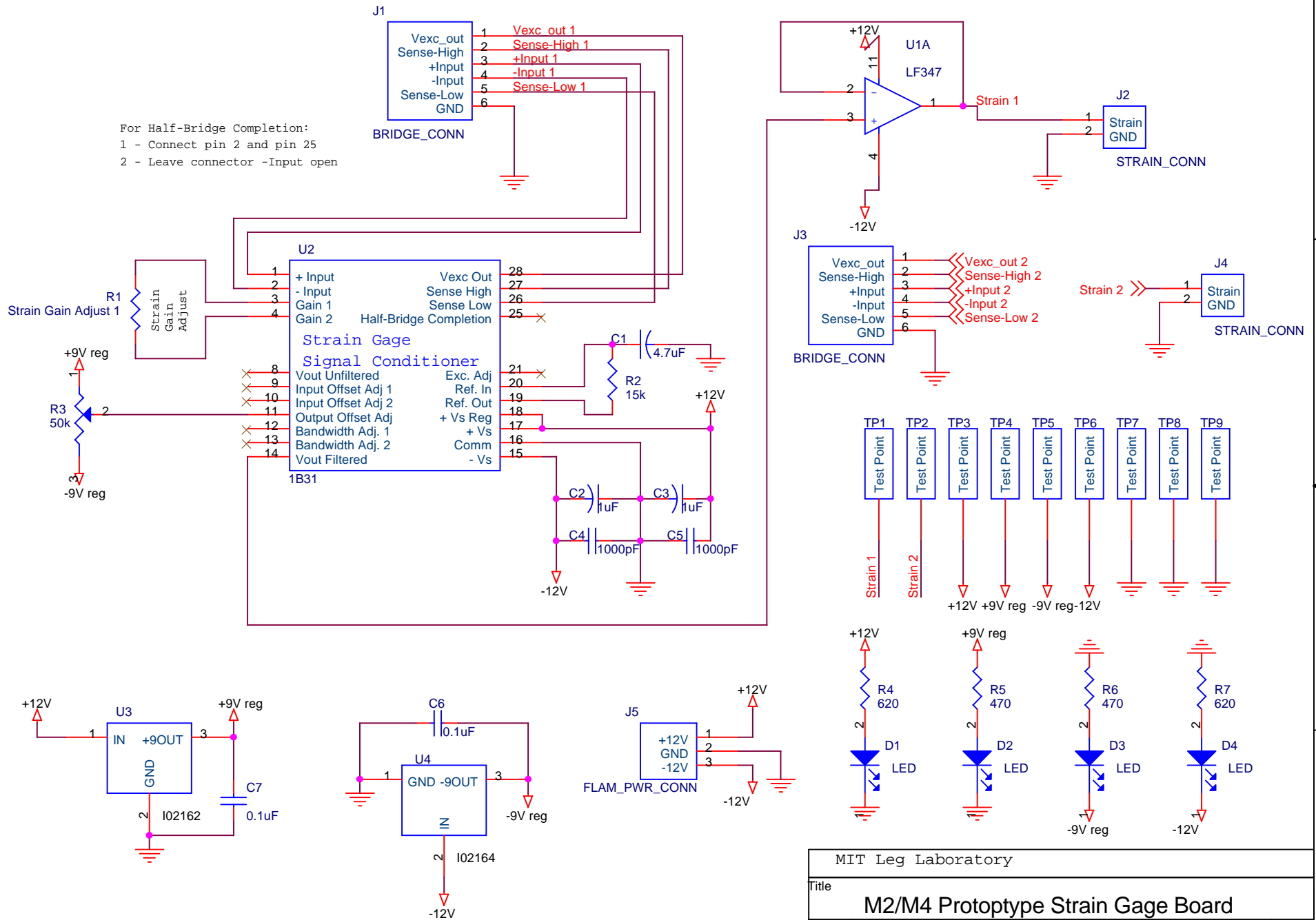
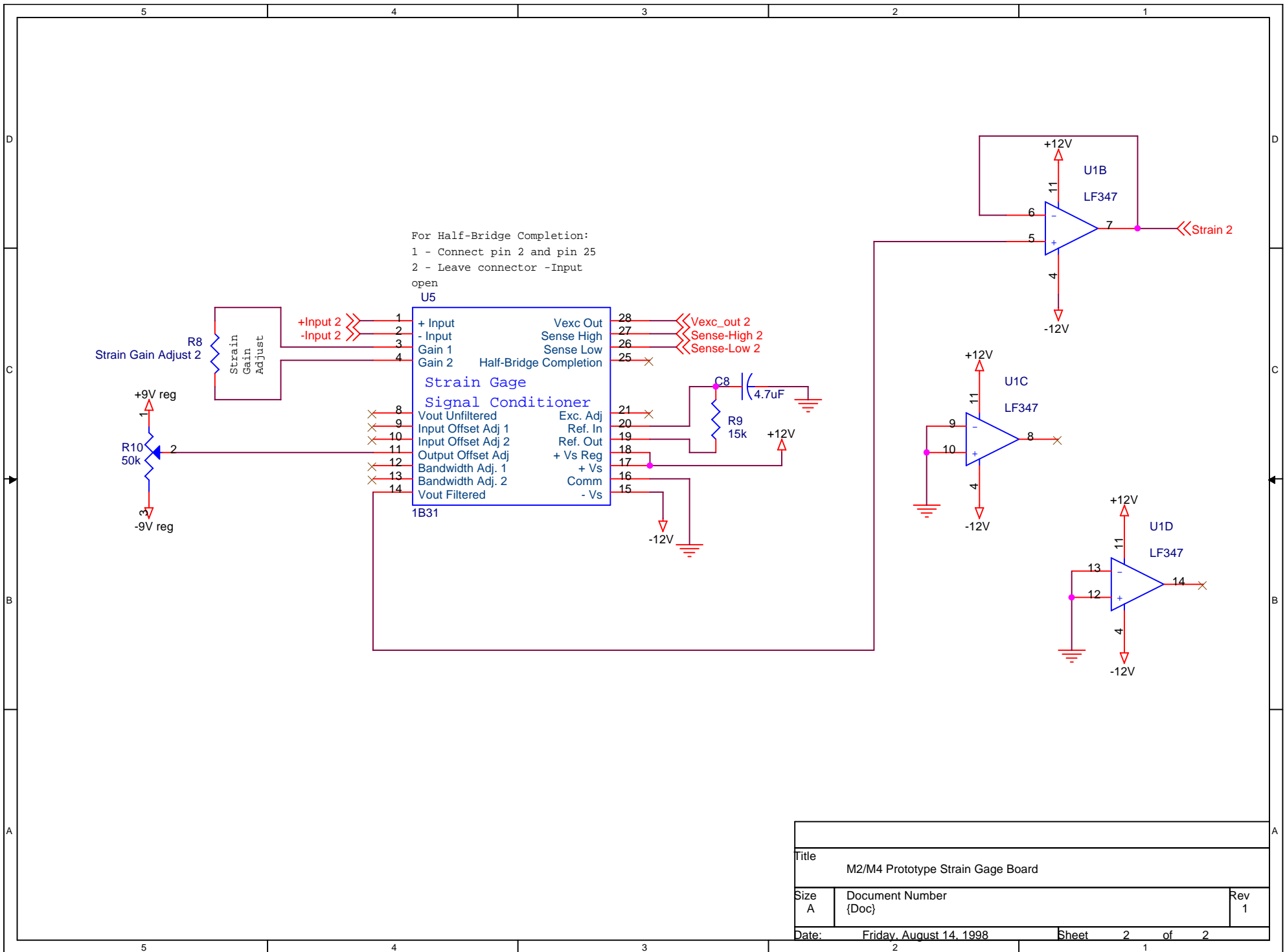


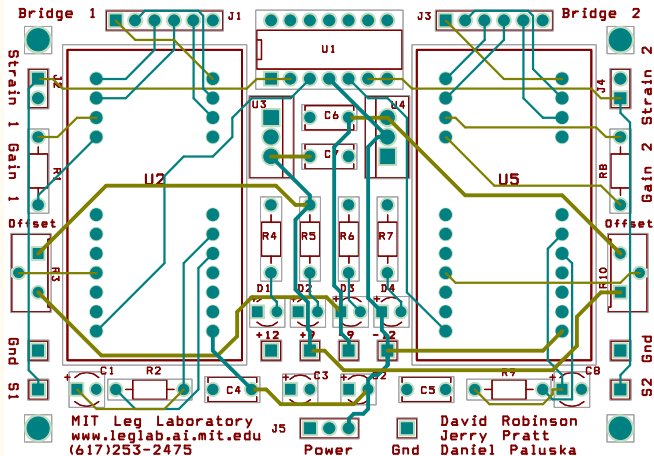
For Half-Bridge Completion:  
 1 - Connect pin 2 and pin 25  
 2 - Leave connector -Input open



MIT Leg Laboratory		
Title		
<b>M2/M4 Prototype Strain Gage Board</b>		
Size A	Document Number	Rev
Date:	Friday, August 14, 1998	Sheet 1 of 2



Title		
M2/M4 Prototype Strain Gage Board		
Size	Document Number	Rev
A	{Doc}	1
Date:	Friday, August 14, 1998	Sheet 2 of 2



## HOLE LEGEND

SYM	DIAM	TOL	QTY	NOTE
+	0.034		60	
⊠	0.038		72	
⊞	0.054		6	
×	0.116		4	
TOTAL			142	